



Range of axial extractors with airflow rates up to 300 m³/h, for connection to 150-160 mm diameter circular ducting. Motor mounted on silent-elastic-blocks which absorb the vibrations and allow offering very low noise level (SILENT-300 DESIGN). All the fans are manufactured from injection moulded plastic, fitted with automatic shutter and single phase 230V-50Hz, class B low consumption motor equipped with thermal overload protection.

All the fans are class II insulation, IP45 rated and suitable to operate with air temperature up to 40°C.

Version SILENT-300 PLUS DESIGN for increase performance.

Versions with electronic timer (CRZ) or adjustable hygrostat (CHZ).



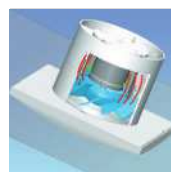
Back draft shutter

To prevent air entry and limit heat leakage when the extractor is not operating. It opens due to the pressure of the air.



Silent-blocks

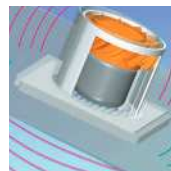
Motor mounted on "Silent-elastic-block" to prevent vibration and noise transmission. (SILENT-300 DESIGN)



SILENT-300 DESIGN-3C

Quiet operation

In usual extract fans the vibrations are transmitted to the surrounding areas while in SILENT extractor fans the vibrations are absorbed by the Silent Blocks.



USUAL EXTRACTOR



Interchangeable colour bars

Interchangeable bar lights let the fan blend in with every setting. 4 colours to match the decor of the room: blue, red, green and yellow.



SILVER version.
 All versions available with Silver front cover.

MODEL FEATURES

	CZ DESIGN 3C	CRZ DESIGN 3C	CHZ DESIGN 3C
PILOT LIGHT	●	●	●
BACKDRAFT SHUTTER	●	●	●
ADJUSTABLE RUN-ON-TIMER (1-30MIN)			●
ADJUSTABLE HUMIDISTAT			●
BALL BEARINGS	●	●	●
SILVER FRONT COVER	●	●	●
WIRING DIAGRAM*	2, 3	4, 5	1, 4

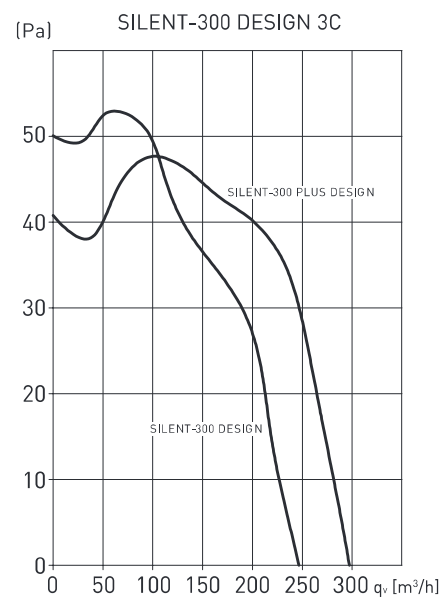
* See section of Wiring Diagrams.

TECHNICAL CHARACTERISTICS

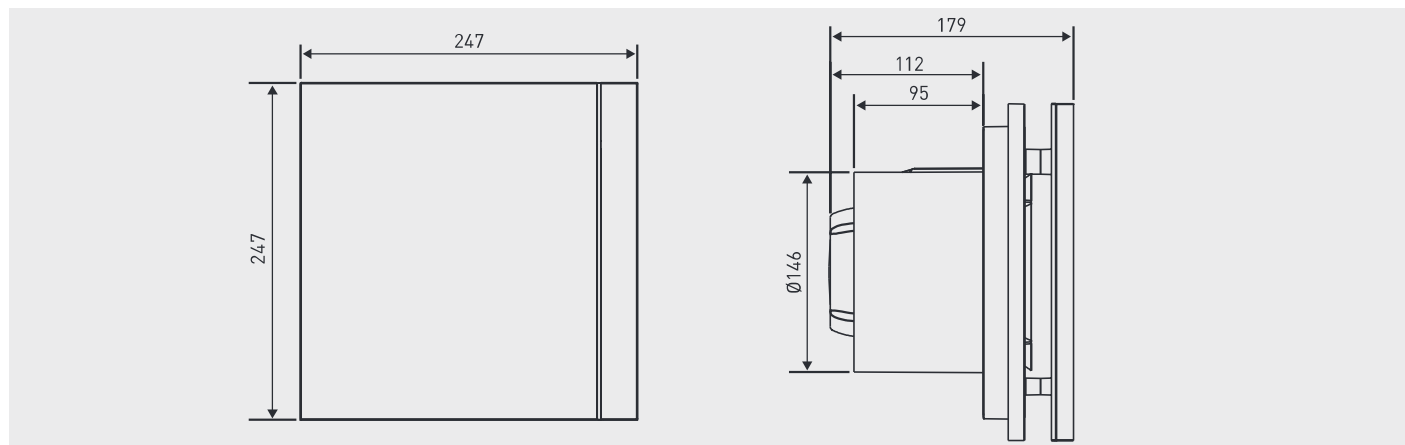
Model	Maximum absorbed power (W)	Voltage (V) 50 Hz	Sound pressure level* (dB(A))	Airflow at free discharge (m ³ /h)	Insulation/ IP	Ø duct (mm)	Weight (kg)
SILENT-300 DESIGN	26	230	38	250	Class II/IP45	150-160	1,5
SILENT 300 PLUS DESIGN	22	230	42	300	Class II/IP45	150-160	1,9

* Sound pressure level measured at 3 m at free air conditions.

PERFORMANCE CURVES



DIMENSIONS (mm)



ACCESSORIES



GSA-150
Flexible aluminium
ducting.



GRA-150
Aluminium exterior
grille.



REB
Single phase
electronic speed
controllers.



CX-125/215
Worm drive ducting
clip.



PER-160W
Back draft shutter.

